

ROOF FRAMING PLAN
SCALE: 1/4" = 1'-0"

General Notes

- ALL FRAMING LUMBER TO BE #2 D.F.L. MIN.
- ALL FRAMING CONNECTORS TO BE SIMPSON STRONG-TIE OR EQUIVALENT.
- PLYWOOD ROOF SHEATHING TO BE 1/2" OSB PLYWOOD LAID PERP TO JOISTS AND NAILED w/ 6d NAILS @ 6" O.C. EDGE AND 8d NAILS 2 12" O.C. FIELD. SPACE w/ PSCL 1/2 R50 PLYWOOD SHEATHING CLIPS.

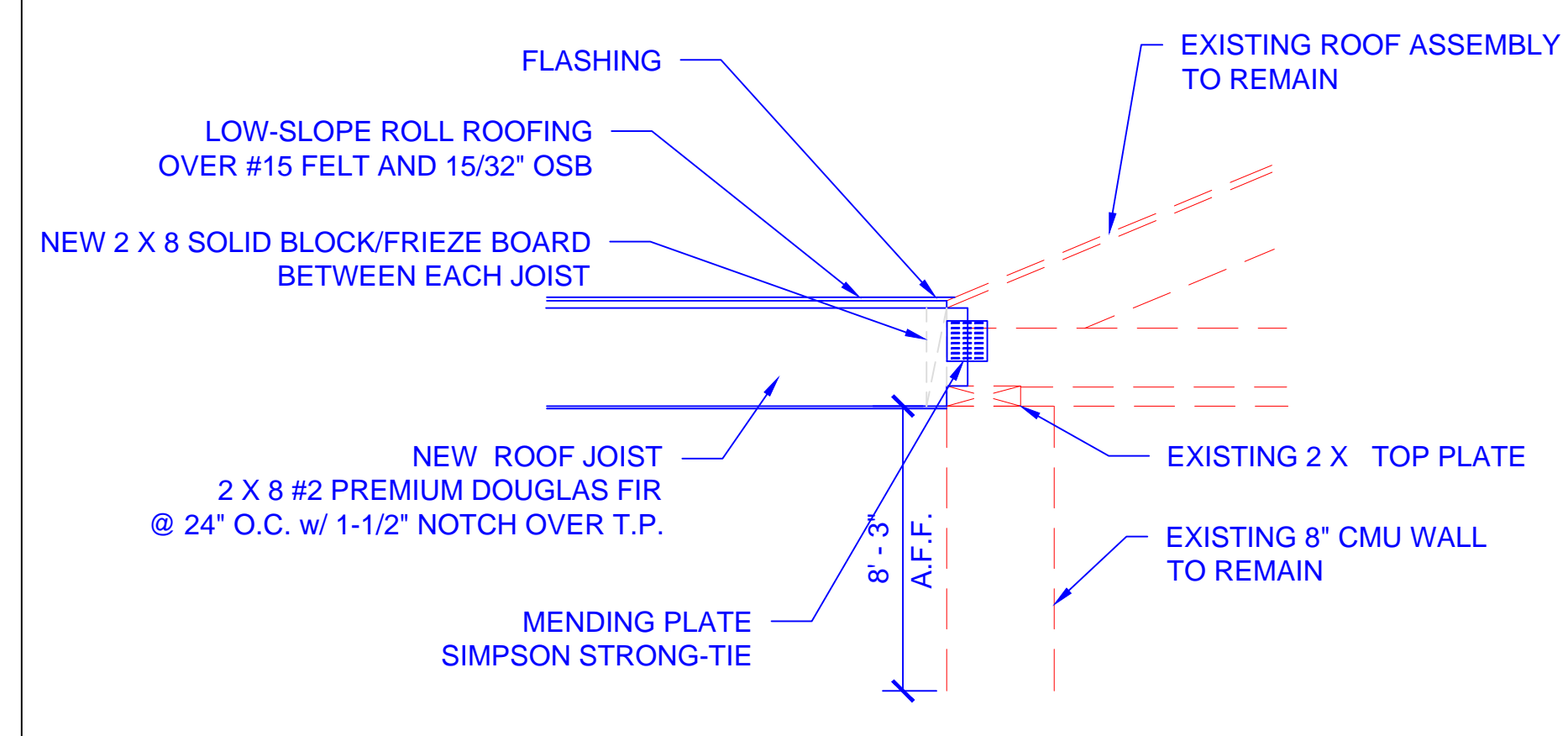
BUILDING CODES:
2012 IBC, 2012 IRC, 2012 IPC, 2012 IMC, 2012 IFGC, 2012 IGCC, 2012 IECC, 2012 IEB, 2011 NEC.

No.	Revision/Issue	Date

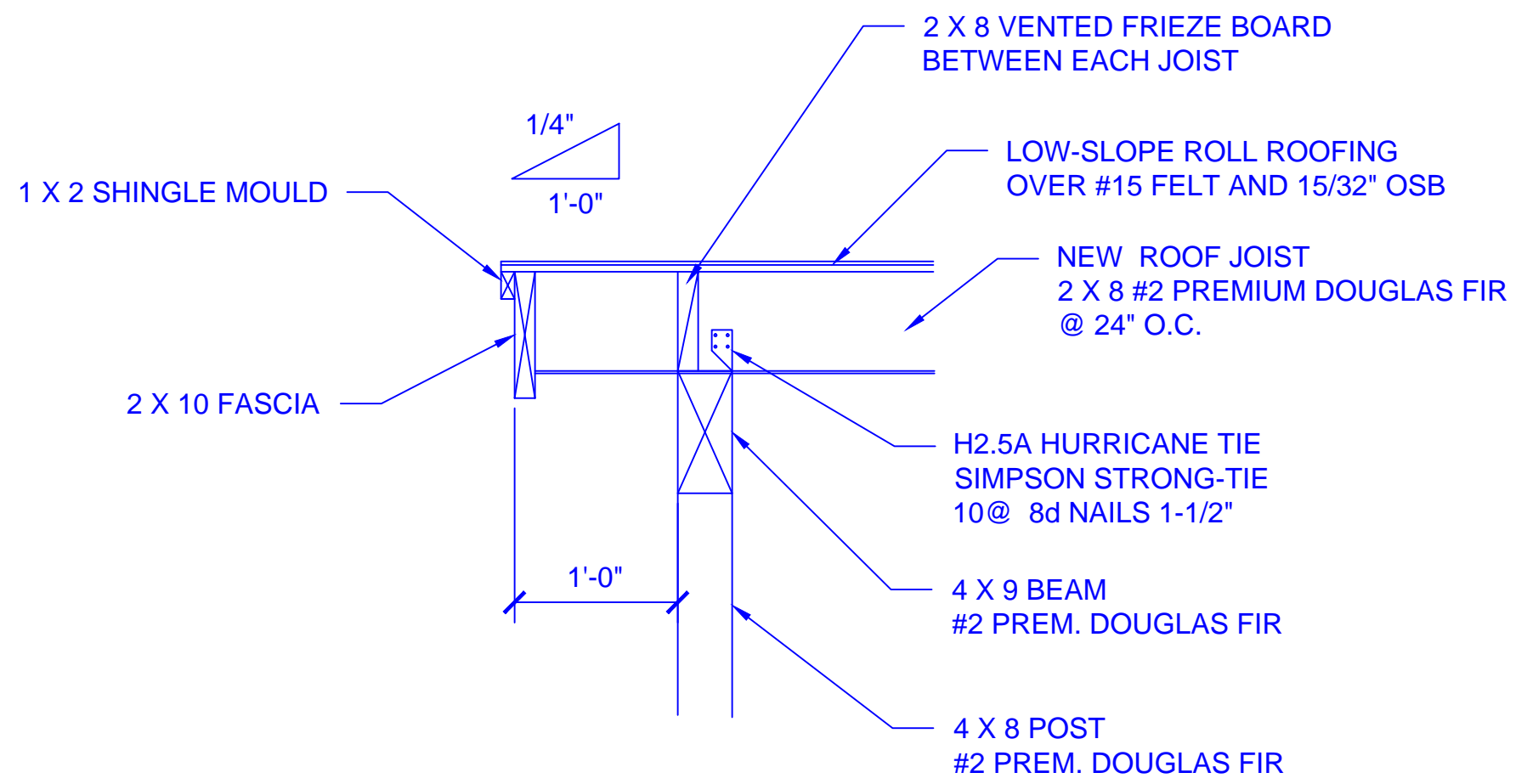
Firm Name and Address

Project Name and Address
CAMPBELL RESIDENCE
19218 W. VIRGINIA AVE
BUCKEYE, AZ 85396
PATIO COVER ADDITION

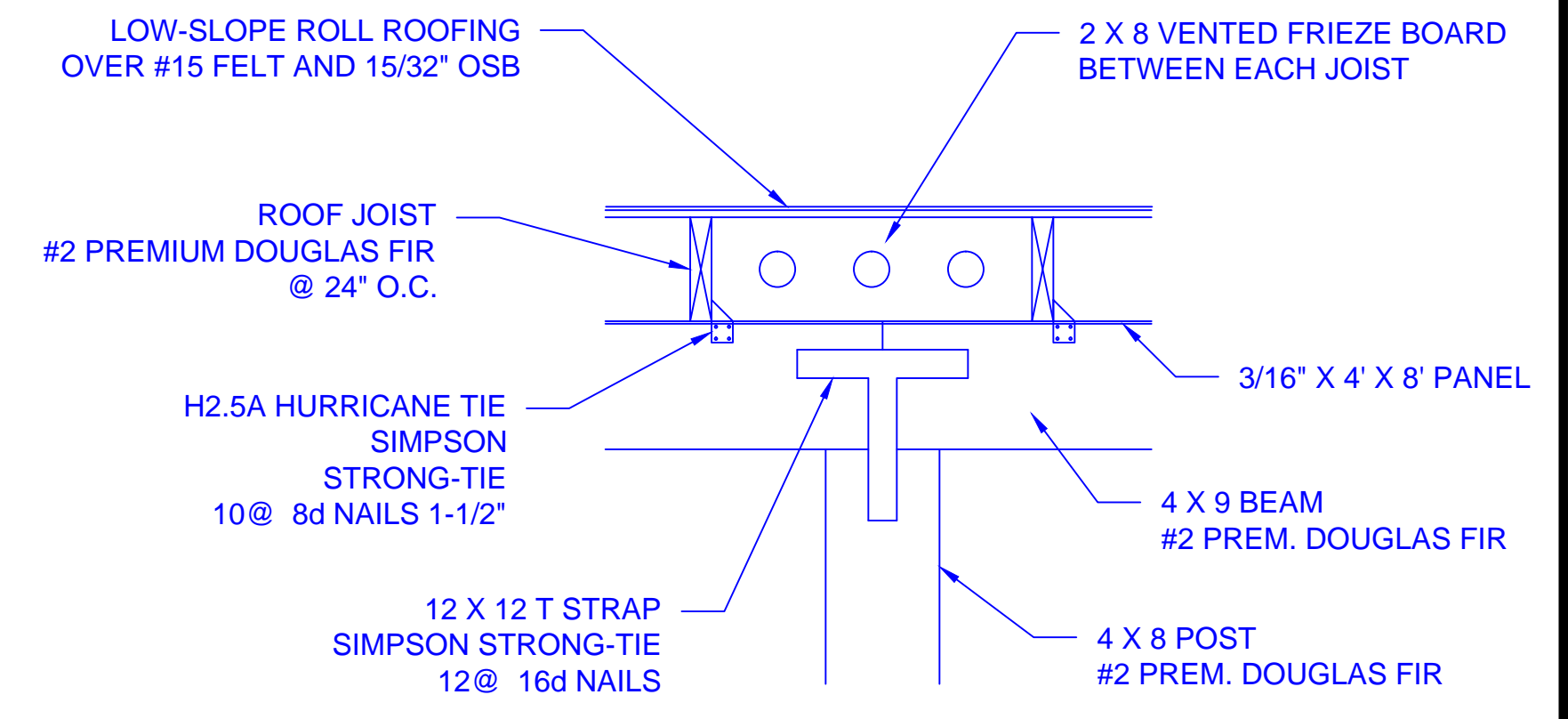
Project PATIO COVER	Sheet A-1.2
Date 6/23/2015	
Scale As Noted	



1 NEW ROOF TO EXISTING ROOF AND WALL DETAIL
SCALE: 1" = 1'-0"



2 NEW ROOF TO POST DETAIL
SCALE: 1" = 1'-0"



3 NEW ROOF TO POST AND BEAM DETAIL
SCALE: 1" = 1'-0"